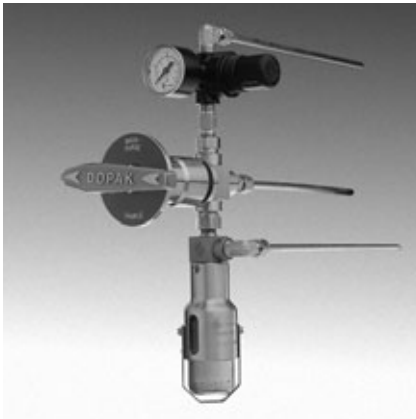


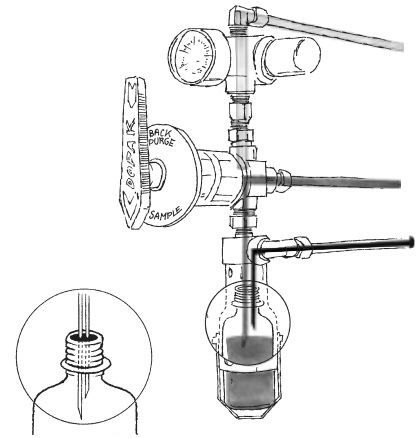
**DOPAK® Process Sampler Type DPM**

**back purge configuration**

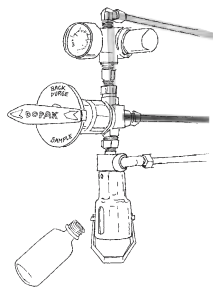


The ability to back purge the sample point ensures optimal retrieval of a representative and contamination free sample.

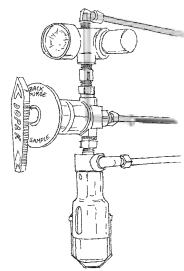
The DPM type sampler in back purge configuration allows a gas to purge the sampler prior to sampling ensuring a fresh sample.



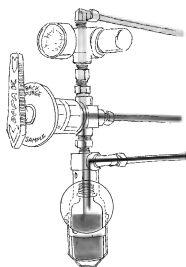
**1 OPERATION/FUNCTION**



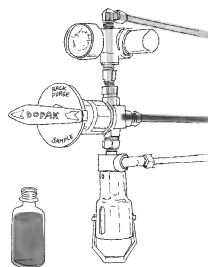
**0 - off**  
Provide a new septum on your sample bottle. Insert the bottle, with cap and septum into the sleeve until the septum is pierced by the needles. Put the bottle retaining clip in place.



**1 - back purge**  
Turn the handle to "back purge" position, allowing a flow of purge gas through the sampler to the process to ensure representative sampling. This position can be held for any required time.

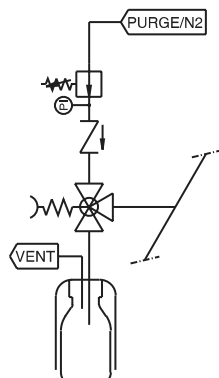


**2 - sample**  
Turn the handle to the "sample" position, allowing the product to flow into the sample bottle. When the required amount has been taken, turn the handle to the "off" position.



**3 - off**  
Remove the bottle retaining clip and pull the bottle out of the sleeve. The septum reseals automatically.

**2 TYPICAL P & ID**



### 3 FEATURES/ADVANTAGES/PROPERTIES

- Sampling directly under process conditions
- Low pressure application
- Representative sample
- Zero dead volume
- Closed sampling

### 4 BASIC SPECIFICATIONS

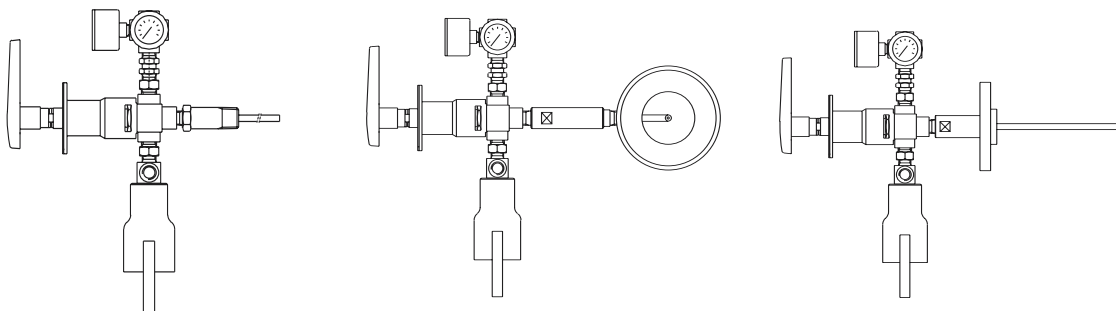
<b>Material</b>	SS316, SS316L.	
<b>Sleeve Type</b>	60cc sleeve with bottle retaining clip.	
<b>Needle Assembly</b>	Single piece VTO needle assembly with vent to outlet connection 1/4" FNPT. Process/vent needle ID:1.35 mm.	
<b>Valve</b>	Three-way ball valve type W83. PTFE seats, Viton A O-rings. Pressure range 103 bar @ 20°C (1500 psig @ 70°F). Temperature range -17/+232°C (0/+450°F).	
<b>Operation</b>	Manual.	
<b>Connections</b>	1/4" FNPT, regulator, gauge and check valve included.	

**Please note:** the above is a basic specification only. DOPAK® Samplers can be offered with a wide variety of options as mentioned below.

### 5 OPTIONS

- |   |   |
|---|---|
| <input type="checkbox"/> Spring return handle | <input type="checkbox"/> Sample cooler              |
| <input type="checkbox"/> Lockable handle      | <input type="checkbox"/> Mounting bracket           |
| <input type="checkbox"/> Mounting plate       | <input type="checkbox"/> Steam sterilising cap      |
| <input type="checkbox"/> Pipe stand           | <input type="checkbox"/> Welded connection          |
| <input type="checkbox"/> Block valve          | <input type="checkbox"/> Continuous needle purge    |
| <input type="checkbox"/> Flow meter           | <input type="checkbox"/> Exotic materials           |
| <input type="checkbox"/> Enclosure            | <input type="checkbox"/> Larger/smaller sample size |

For more information please refer to our sheets:  
**Options for DOPAK® process sampler type DPM.**  
**Components for DOPAK® process samplers.**



**Dopak Inc.**  
Houston, Texas 77080, USA  
Phone 713-460-8311  
Fax 713-460-8578  
E-mail info@dopak.com

**Dovianus BV**  
Rotterdam, The Netherlands  
Phone +31 10 420 60 11  
Fax +31 10 456 67 74  
E-mail info@dopak.nl

**Your local representative:**