

MINIFLEX

NON CONTACT PROGRAMMABLE LEVEL CONTROLLER
UP TO 6M RANGE



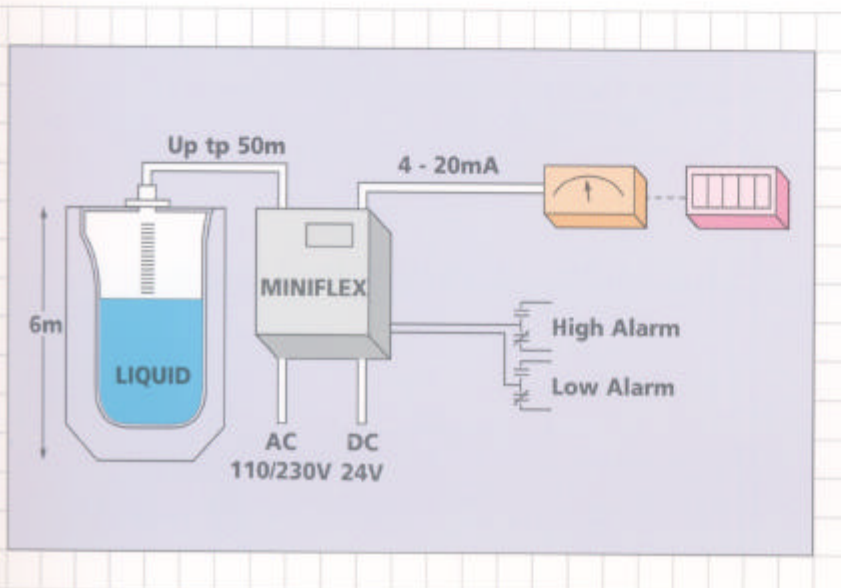
The new Miniflex is designed for use on a range of level control applications for liquids, slurries and pastes up to a maximum measuring range of 6 metres.

Miniflex provides a simple level control solution with a number of features which include:-

- Multi-programmable display for level, distance or percentage
- Two fully programmable relays
- Continuous analogue output (4-20 mA)
- Integral pump routines for duty/standby and duty/assist
- Alarm functions for high/low or loss of echo signal
- Dual AC and DC supply voltage
- Transducers certified for hazardous zones 1 and 2

With benefits to our customers of:-

- Easy installation with separate transducer and controller
- Simple 5 button 12 parameter program set-up
- Dual function
- Competitive price



EASY TO INSTALL

The electronics and transducers have deliberately been kept separate to give the choice of mounting tank top or tank bottom. Given the option, we suspect that, most people when setting up the unit prefer to keep both feet on the ground.

USEABLE

The display is visible at all times, providing a continuous readout of tank contents. This information can be repeated using the 4-20mA output available or fed into a PLC or SCADA system for control or logging purposes.

ALARMING

Given that most applications require at least one 'high liquid level' alarm to prevent spills and one 'low liquid level' alarm for continuity of product supply, Miniflex provides two fully programmable changeover relays.

VERSATILE

Depending on the application a stand alone mains operated device or a low voltage DC transmitter in a control loop may be required. Miniflex satisfies both of these requirements by accepting AC voltage of 110/230V, or 24V DC in a three/four wire configuration.

LEVEL TRACKING

Using unique echo extraction routines 'PULSE' and 'AGC' designed by Hycontrol, Miniflex is guaranteed to monitor the correct level and ignore spurious echo signals on which other systems may fail!



Typical Miniflex Application

MINIFLEX

ULTRASONIC TRANSDUCERS

The MINIFLEX electronics have been matched to the performance of the new small RZ range of ultrasonic transducers.

These transducers with polyurethane or flanged PTFE faces are suitable for use with most process liquids or slurries.

CENELEC approved for use in Zone 1 & 2 areas and submersible to IP68, the RZ range is safe to mount almost anywhere. Integral temperature compensation avoids the need for separate temperature probes.

50 metre separation is possible between transducer and the MINIFLEX when wired in accordance with the instruction manual.

TRANSDUCER TECHNICAL DATA:

STANDARD MOUNTING

Model:	RZV15
Frequency:	41.5 kHz
Beam Angle:	10° at 3dB
Body Material:	Xenoy thermoplastic alloy
Face Material:	Polyurethane or PTFE (Add T at end of part number for PTFE)
Temperature Compensation:	Integral in RZT15 series
Operating Temperature:	-40°C to +90°C (-20 to +60°C for Cenelec)
Protection:	IP68
Hazardous Area:	CENELEC EExmIT6 for zone 1 & 2
Mounting:	M20 x 1.5mm

FLANGE MOUNTING

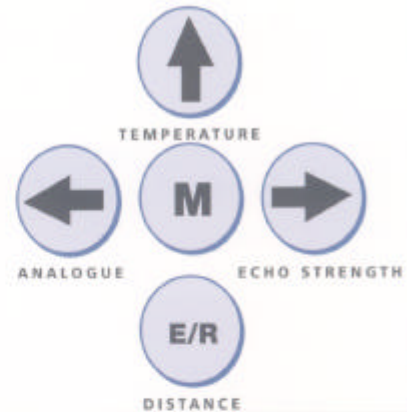
Model: RZV15T/RZV15T* (* = Nominal flange size).

MODEL	A	B	C	D
RZV15T3	190	152	19	4
RZV15T4	229	190	19	8
RZV15T80	200	160	18	8

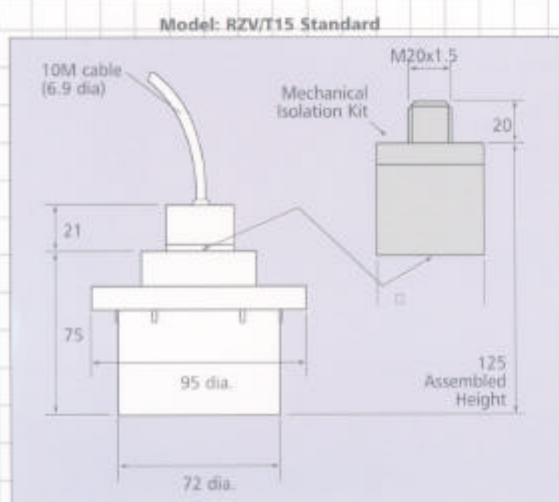
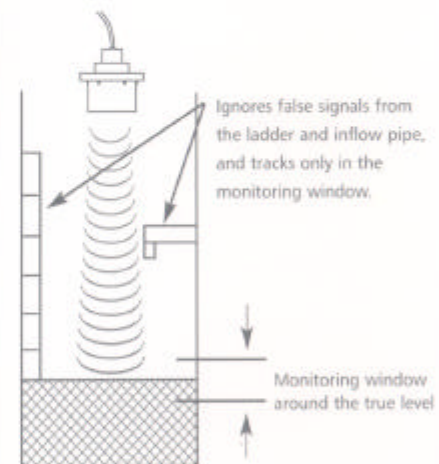
Other sizes available on request.

Face Material:	PTFE
Temperature Compensation:	Integral in RZT15 series

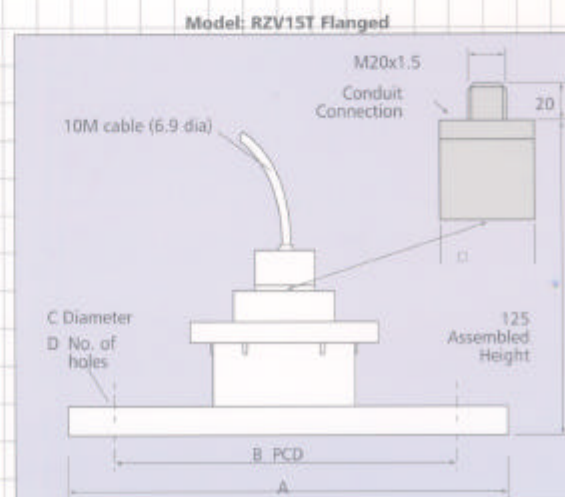
Simple push button operation for programming with quick check options for temperature, echo strength, distance and analogue output.



System utilises **PULSE** window technology (*Proven Ultrasonic Level Signal Extraction*) eliminating the false echoes other manufacturers systems fail on!



All dimensions in mm unless stated.



All dimensions in mm unless stated.

PERFORMANCE SPECIFICATION

Measuring Range:	6 metres maximum on liquids, slurries and pastes
Measuring Modes:	Level or distance
Accuracy of change in level:	± 0.25 % of measured distance at ambient of 20°C
Resolution:	2mm or 0.1% of empty distance whichever is the greater
Damping:	Fully adjustable
Blanking:	Fully adjustable

HARDWARE SPECIFICATION

Power Supply:	110 / 230V a.c. ±10% 50/60 Hz 6VA, 24V d.c. -10/+25% 5W
Relay Outputs:	2 SPDT relays rated 5A@250V a.c./30V d.c. Fully adjustable
Analogue Output:	4-20mA / 20-4mA into 750 ohms 16 bit, Short circuit protected, non-isolated
Ambient Temperature:	-40°C to +70°C
Indication:	4 digit 12mm LCD, 3 LEDs for relay status and echo
Interface:	5 push buttons
Temperature Compensation:	Integral in RZT transducers
Enclosure:	IP65 Polycarbonate, 170h x 120W x 56d wall mounting
Approvals:	CE Compliant to EN 50081-1 EN 50082-1 Approved for driving RZ series transducers certified EExmIT6 for zones 1 & 2

Hycontrol's policy is one of continuous development, consequently the right is reserved to modify these specifications without notice.



Hycontrol Limited,
Larchwood House, Orchard Street, Redditch,
Worcestershire B98 7DP.
Tel: (01527) 67841. Fax: (01527) 60046.
E-mail: Sales@Hycontrol.com
Web Site: www.hycontrol.com

Distributed By:

--