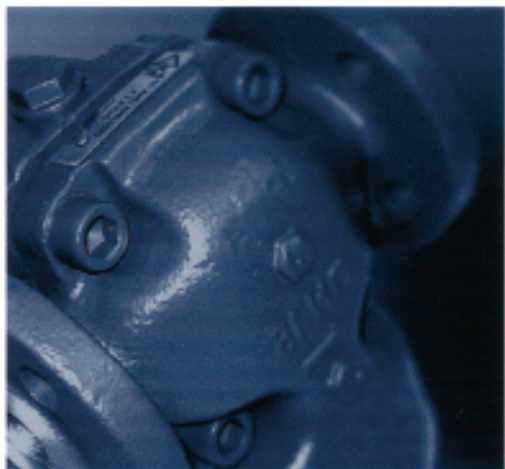


## Ball Float Traps UNA

**Pressure ratings up to PN 160**  
**For condensate discharge without banking-up even with load and pressure fluctuations.**

Ball float traps are also suitable for the discharge of cold condensates, distillates and condensate derived from chemical products. They operate without any banking-up even with considerable load and pressure fluctuations and at any back pressure. Compared with other trap types, they are the least affected by dirt. The traps are supplied with "Duplex" control (thermostatic bellows for automatic air-venting), alternatively with "Simplex" control (without bellows) and hand vent valve. The control unit is easily accessible after removing the trap cover, and can be changed as a complete unit without removing the trap from the line. The rolling ball valve produces very little



friction and can be operated with a minimum of force. This results in small, light traps but with large capacities.

**UNA 13 PN 16, UNA 15 PN 25**  
compact trap for small condensate flowrates. Design "h" for horizontal and design "v" for vertical pipework. A conversion of "h" design to "v" design or vice versa is possible by repositioning body and control unit to suit the pipework layout.

**UNA 23 PN 16, UNA 25 PN 40, UNA 26 PN 40**  
For large condensate flowrates. Design "h" for horizontal and design "v" for vertical pipework.

For particularly aggressive fluids or special hygienic requirements the UNA 26 and UNA 15 are also available made completely of stainless steel.

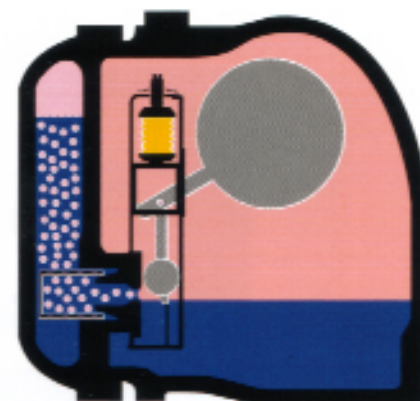
**UNA 27h PN 63**  
For differential pressures up to 45 bar. Installation in horizontal pipework.

**UNA 39 PN 160**  
Float trap controlled by the float, only for smaller flowrates.

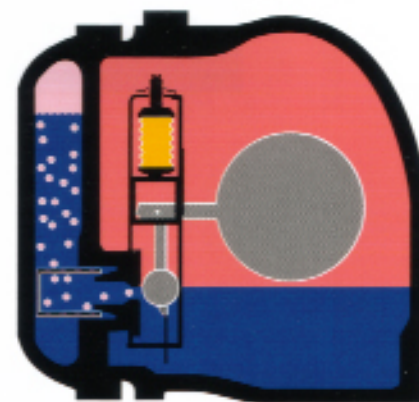
**UNA 39, max. orifice 140, PN 160**  
The trap operates with pilot control (without auxiliary power). It therefore discharges large amounts of condensate at high pressures without requiring a large trap body.

### Operation

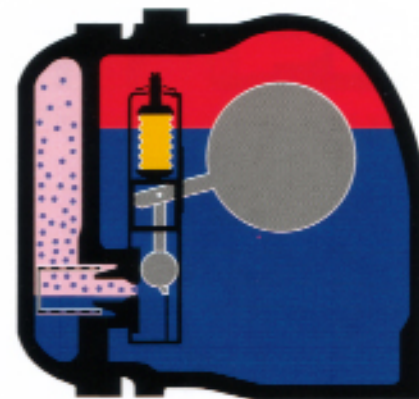
Air-venting when system is cold (start-up condition).



Air-venting during operation (temperature lower than standard steam temperature).



Discharge of boiling hot condensate (temperature equals saturation temperature).



**Bolted cover** ▶  
Closed or sightglass cover  
(water-level indicator).

**Upper plug** ▶  
Installation of manual vent  
valve or air balance possible.

**Thermostatic bellows** ▶  
for automatic air-venting  
("Duplex" control). Without  
bellows ("Simplex" control) for  
cold fluids.

**Control unit** ▶  
Easy maintenance after  
opening cover. Complete unit  
may be changed without  
removing body from pipeline.

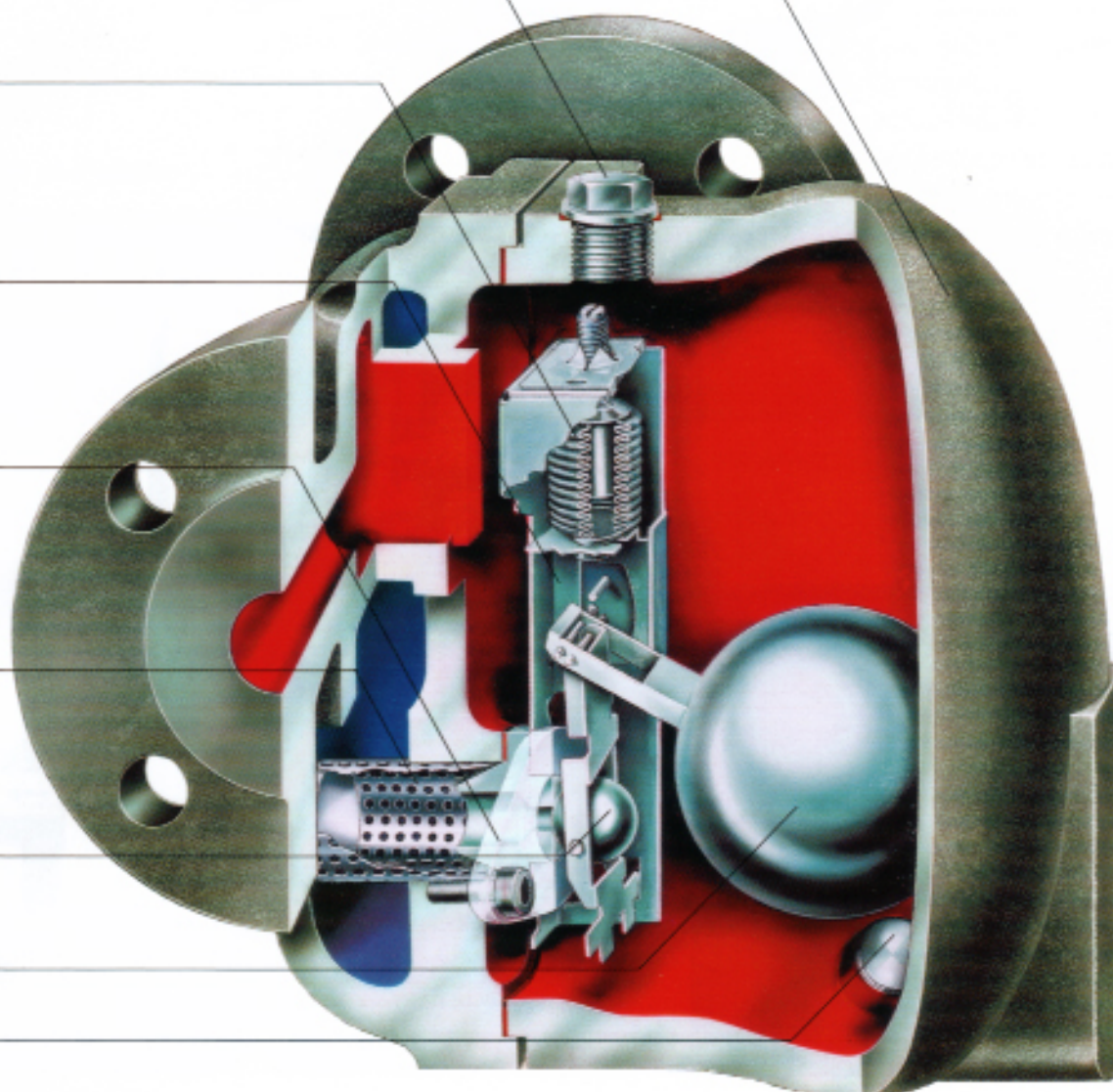
**Closing unit (orifice)** ▶  
A selection of orifice sizes for  
high and low pressure  
applications.

**Deflector** ▶  
guarantees the deflection of  
the condensate stream and  
reduces wear on the trap body

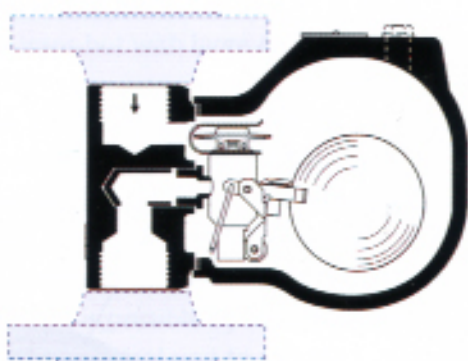
**Rolling ball valve** ▶  
Low friction.

**Closed ball float** ▶

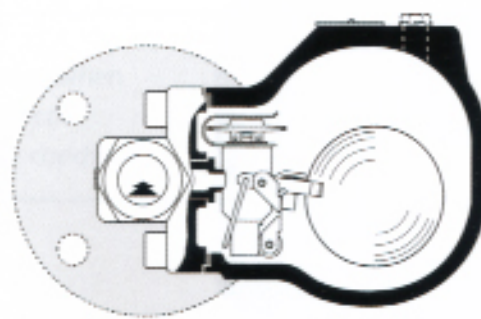
**Lower plug** ▶  
Draining of trap or for installation of lifting lever.



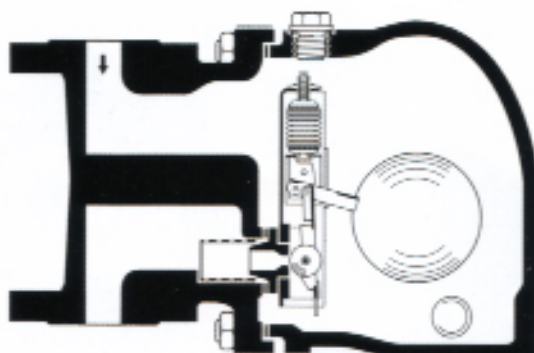
## UNA Types and Connections



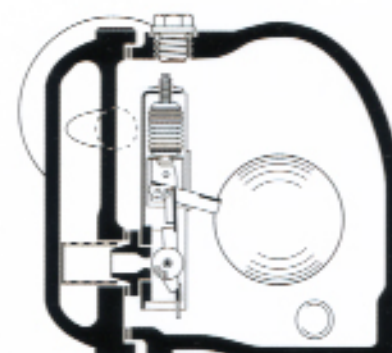
UNA 1...v



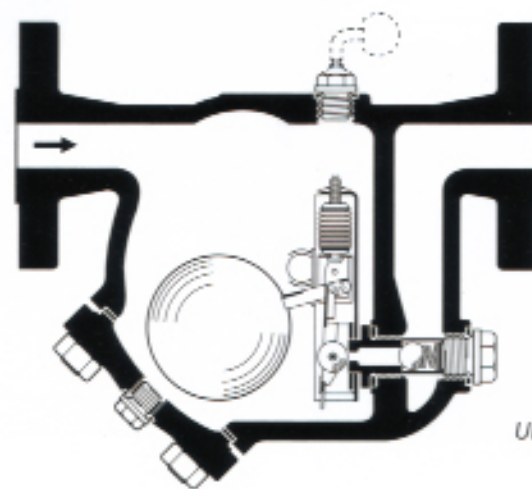
UNA 1...h



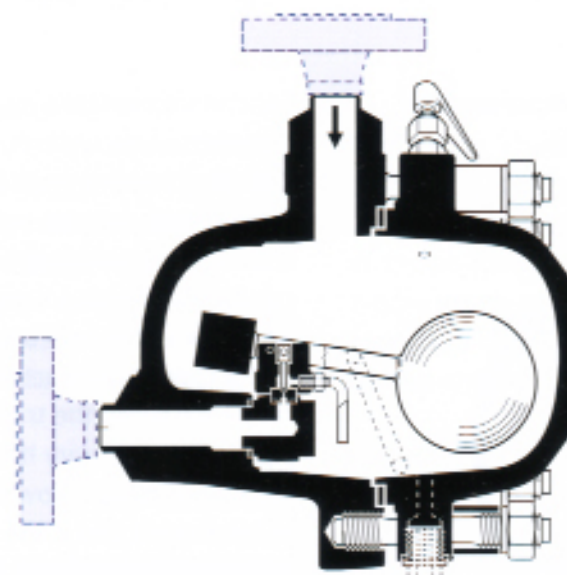
UNA 2...v



UNA 2...h



UNA 27 h



UNA 39

**UNA Ball Float Traps at a glance**

Type	Material	Max. differential pressure bar (psi)	Connections, DN			
			Flanged	Screwed	Socket-weld	Butt-weld
UNA 13h UNA 13v	GG-25	13 (185)	15–25 mm (1/2"–1")	1/2"–1"		
UNA 15h UNA 15v	Body C 22.8 Cover GS C-25	21 (305)	15–25 mm (1/2"–1")	1/2"–1"	1/2"–1"	15–25 mm (1/2"–1")
UNA 15h UNA 15v Stainless steel	Body 1.4571 Cover 1.4308	21 (305)	15–25 mm (1/2"–1")	1/2"–1"		
UNA 23h UNA 23v	GG-25	13 (185)	15–50 mm (1/2"–2")			
UNA 25h UNA 25v	GG-40.3	32 (465)	15–50 mm (1/2"–2")			
UNA 26h UNA 26v	Body C 22.8 Cover GS C-25	32 (465)	15–50 mm (1/2"–2")	1/2"–2"	1/2"–2"	15–50 mm (1/2"–2")
UNA 26h Stainless steel	1.4408	32 (465)	15–50 mm (1/2"–2")	1/2"–2"	1/2"–2"	15–50 mm (1/2"–2")
UNA 27	GS-22 Mo 4	45 (650)	25, 40, 50 mm (1", 1 1/2", 2")		1", 1 1/2"–2"	25, 40, 50 mm (1", 1 1/2", 2")
UNA 39	13 CrMo 44	140 (2030)	15, 25, 50 mm (1/2", 1", 2")			15, 25, 50 mm (1/2", 1", 2")