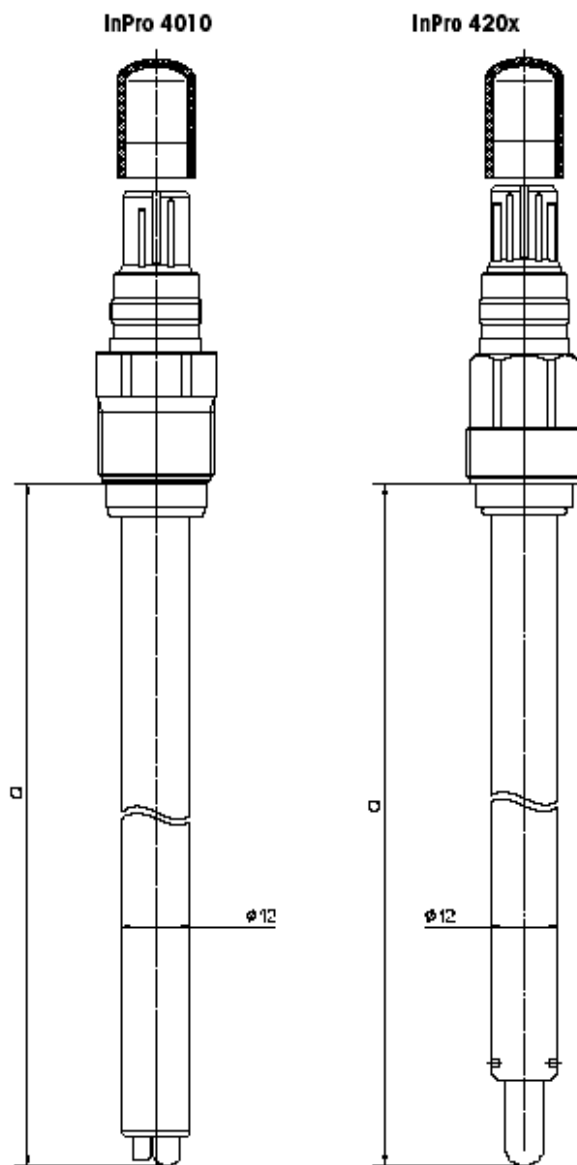
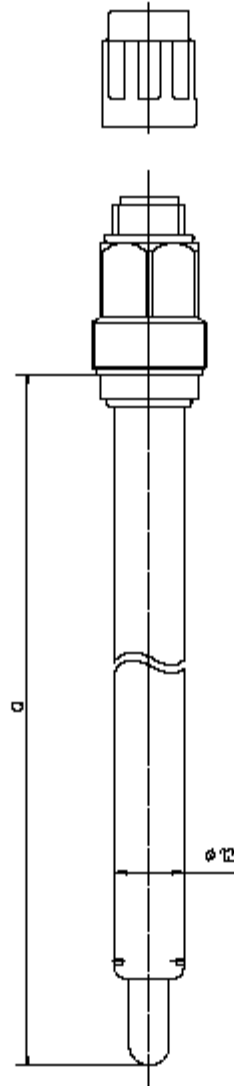


pH electrodes with polymer electrolyte, integrated temperature sensor and VP connector.

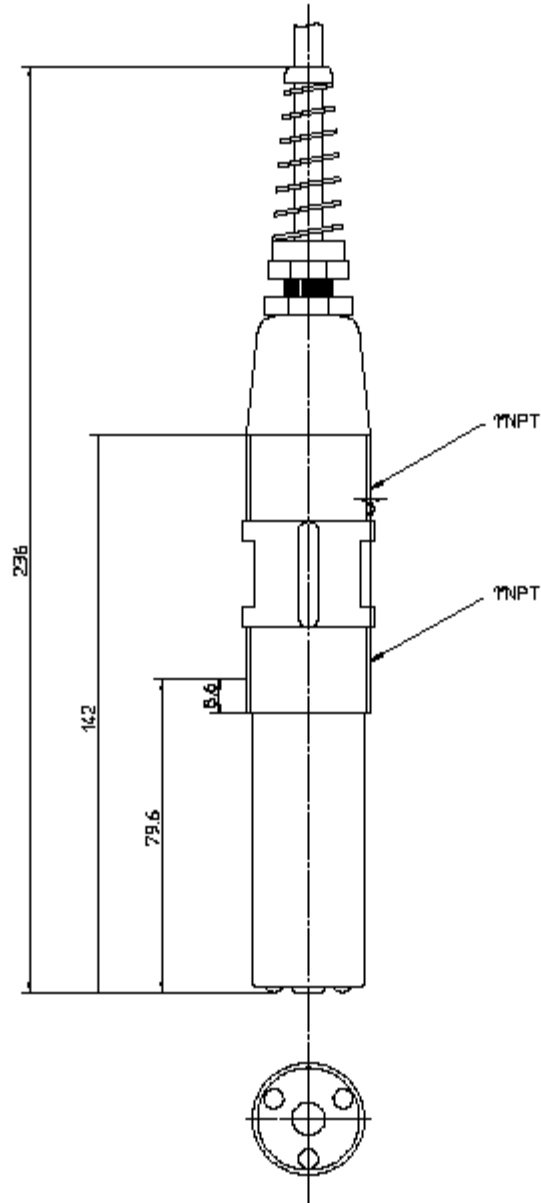


HA405-DXK-S8

pH electrodes with solid polymer electrolyte and S8 connector.

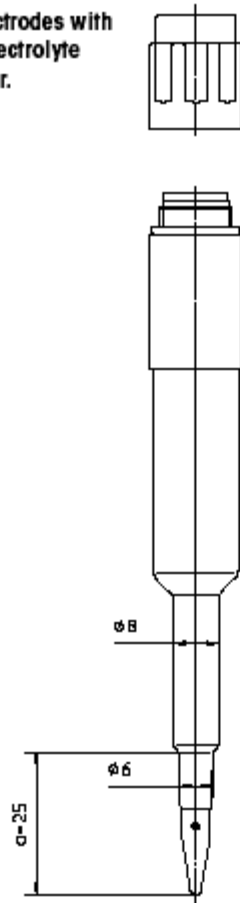


pH electrodes with solid polymer
electrolyte PVDF shaft and fixed cable.

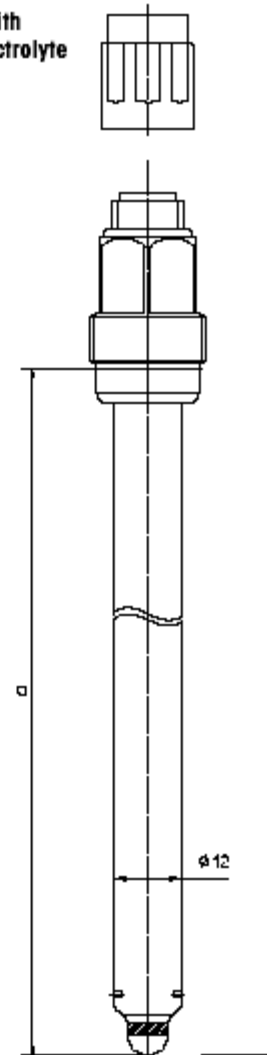


LoT406

Puncture pH electrodes with solid polymer electrolyte and S7 connector.

**Pt4805-DXK**

ORP electrodes with solid polymer electrolyte and S8 connector.



These electrodes are below divided into 5 subgroups depending on their connector type and function (pH/ORP)

Their main application areas are indicated with following abbreviations:

CPI = Chemical Process Industry

BP = Biotechnology and Pharmaceutical Industry

F&B = Food and Beverage Industry

W = Industrial Water Preparation and Waste Water Treatment

Examples of suitable housings for respective electrode are indicated with following abbreviations:

761 = InFit761-25BT(B)/H with H = a - 50

762B = InFit762B/XXX for a = 120

773 = InFit 773 PVDF for a = 120

InFlow = InFlow 751 in PVC/PVDF for a = 120

InClean = InClean 777 for a = 425

777SL = InTrac 777SL/70 and /100 for a = 225 and InTrac 777/200 for a = 425

777SPR = InTrac 777-SPR/100 for a = 225 and InTrac 777SPR/200 for a = 425

InDip = InDip 550 and InDip 524 for a = 120 and InDip 502 for a = 225

Order-No.	Designation	Suitable housing(s)	Main application(s)
-----------	-------------	---------------------	---------------------

3A. pH electrodes with polymer electrolyte, integrated temperature sensor and VP connector.

Drawings InPro4010 and InPro4200. Suitable cables with VP connector.

52 000 510	InPro4010/120 * (no RTD, but VP)	761, InDip, InFlow	W
52 000 511	InPro4010/120/P1100	761, InDip, InFlow	W
52 000 512	InPro4010/120/P11000	761, InDip, InFlow	W
52 000 502	InPro4200/120/P1100	761, 762B, 773, InFlow, InDip	CPI, W
52 000 505	InPro4200/120/P11000	761, 762B, 773, InFlow, InDip	CPI, W
52 000 503	InPro4200/225/P1100	761, 777SL, 777SPR, InDip	CPI, W
52 000 506	InPro4200/225/P11000	761, 777SL, 777SPR, InDip	CPI, W
52 000 508	InPro4200/360/P1100	777SL (and for E&H housings)	CPI, W
52 000 509	InPro4200/360/P11000	777SL (and for E&H housings)	CPI, W
52 000 504	InPro4200/425/P1100	777SL, 777SPR, InClean	CPI, W
52 000 507	InPro4200/425/P11000	777SL, 777SPR, InClean	CPI, W
52 001 133	InPro4201/225/P1100 (LoT glass)	761, 777SL, 777SPR, InDip	CPI, W
52 200 807	InPro4202/120/P1100 (HF glass)	761, 762B, 773, InFlow, InDip	CPI, W
52 001 260	InPro4202/225/P1100 (HF glass)	761, 777SL, 777SPR, InDip	CPI, W
41 453 3101	InPro4502VP-P1100	Direct mounting 1" NPT thread	CPI, W
41 453 3102	InPro4502VP-P11000	Direct mounting 1" NPT thread	CPI, W
41 453 3104	InPro4502VP-NTC	Direct mounting 1" NPT thread	CPI, W

Mettler-Toledo GmbH, Process Analytics

Industrie Nord

CH-8902 Urdorf

Subject to technical references. Mettler-Toledo GmbH

52900189

52900200

52900201

52900190

Order-No.	Designation	Suitable housing(s)	Main application(s)
3B. pH electrodes with solid polymer electrolyte and S8 connector.			
Drawing HA405-DXK-S8. Suitable cables with AS9 connector.			
10 405 4287	HA405-DXK-S8/120	761, 762B, 773, InFlow, InDip	CPI, W
10 405 4290	HA405-DXK-S8/225	761, 777SL, 777SPR, InDip	CPI, W
10 405 4465	HA405-DXK-S8/425	777SL, 777SPR, InClean	CPI, W
10 405 4119	405-DXK-S8/120	761, 762B, 773, InFlow, InDip	CPI, W
10 405 4190	405-DXK-S8/225	761, 777SL, 777SPR, InDip	CPI, W
10 405 8041	405-DXK-S8/360	777SL (and for E&H housings)	CPI, W
11 405 3123	HF405-DXK-S8/120	761, 762B, 773, InFlow, InDip	CPI, W
10 405 4491	HF405-DXK-S8/225	761, 777SL, 777SPR, InDip	CPI, W
13 405 8058	LoT405-DXK-S8/120	761, 762B, 773, InFlow, InDip	CPI, W
11 405 3125	LoT405-DXK-S8/225	761, 777SL, 777SPR, InDip	CPI, W
3C. pH electrodes with solid polymer electrolyte, PVDF shaft and fixed cable.			
Drawing InPro4500.			
41 453 3007	InPro4501 (PI100, 3 m cable)	Direct mounting 1" NPT thread	CPI, W
41 453 3011	InPro4505 (PI1000, 3 m cable)	Direct mounting 1" NPT thread	CPI, W
41 453 3013	InPro4507 (PI100, 10 m cable)	Direct mounting 1" NPT thread	CPI, W
41 453 3017	InPro4511 (PI1000, 10 m cable)	Direct mounting 1" NPT thread	CPI, W
3D. Puncture pH electrode with solid polymer electrolyte and S7 connector.			
Drawing LoT406. Suitable cables: AS7/1m/-15.30 and AS7/1m/8NC-30.			
10 406 3123	LoT406-M6-DXK-S7/25	Puncture knife	F&B
3E. ORP electrodes with solid polymer electrolyte and S8 connector.			
Drawing P14805-DXK. Suitable cables with AS9 connector.			
10 505 3288	P14805-DXK-S8/120	761, 762B, 773, InFlow, InDip	CPI, W
10 505 3255	P14805-DXK-S8/225	761, 777SL, 777SPR, InDip	CPI, W
10 505 3329	P14805-DXK-S8/425	777SL, 777SPR, InClean	CPI, W