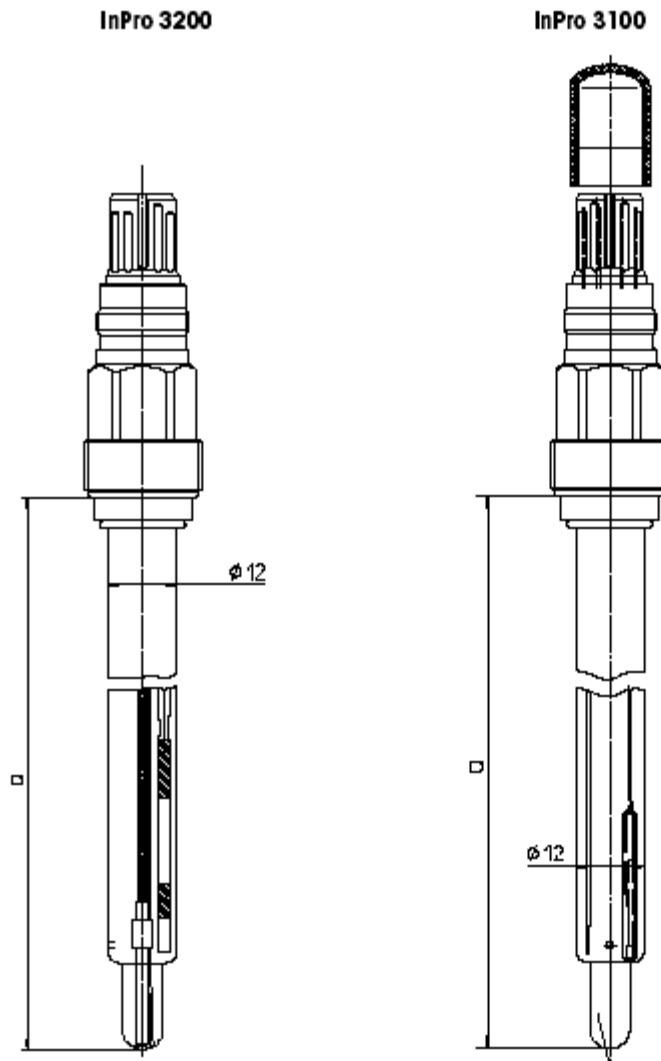
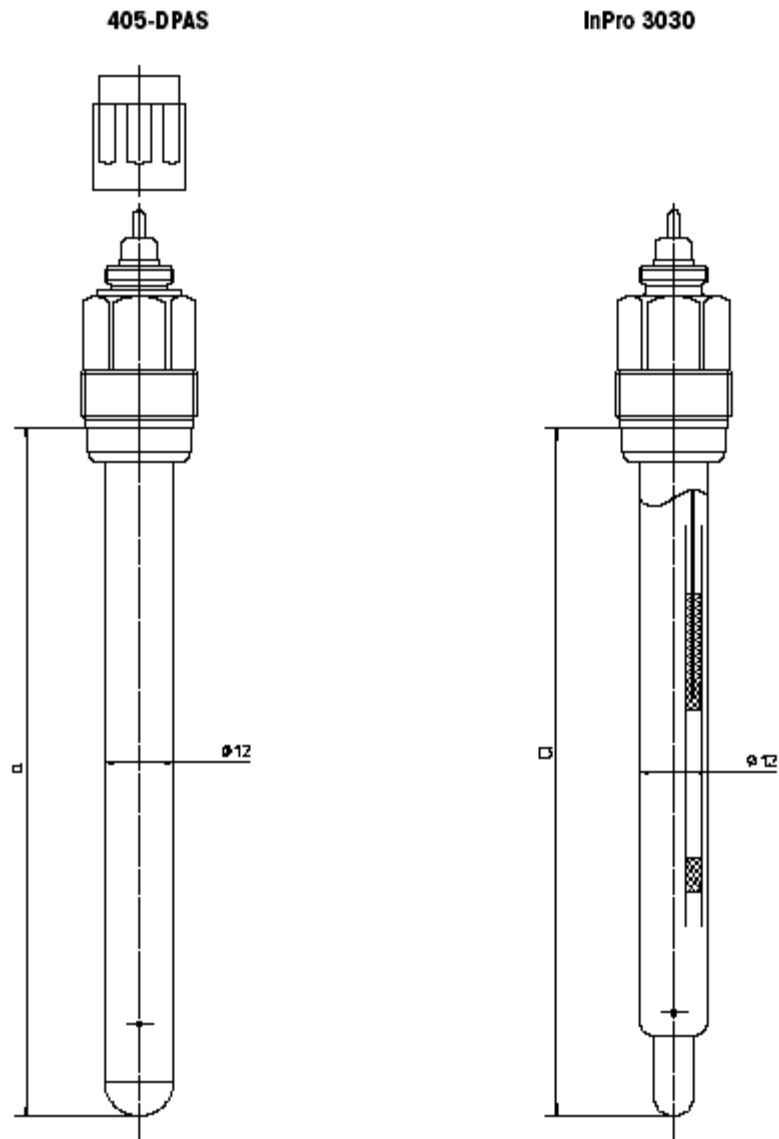


Gel electrolyte pH electrodes with integrated temperature sensor and VP connector.

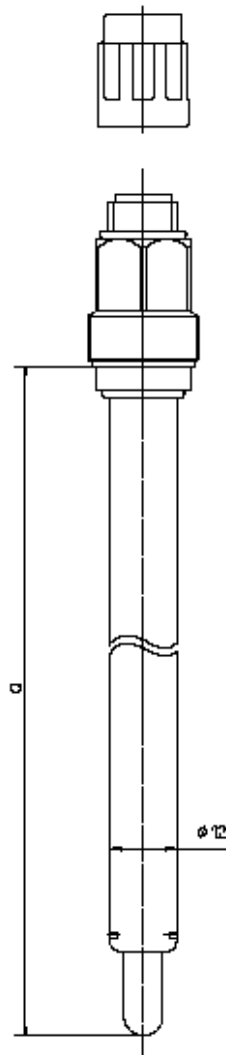


Autoclavable pH electrodes with gel electrolyte and K8S connector.



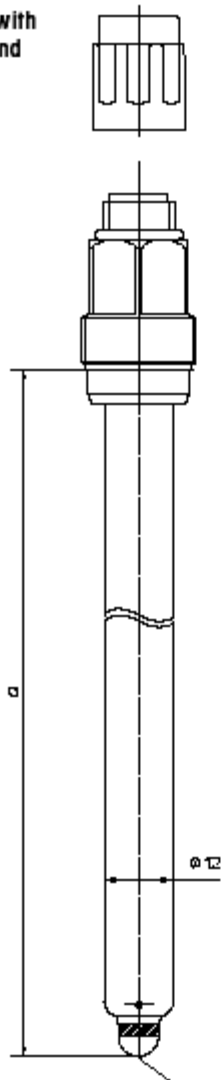
**HA405-DXK-S8**

pH electrodes with solid polymer electrolyte and S8 connector.

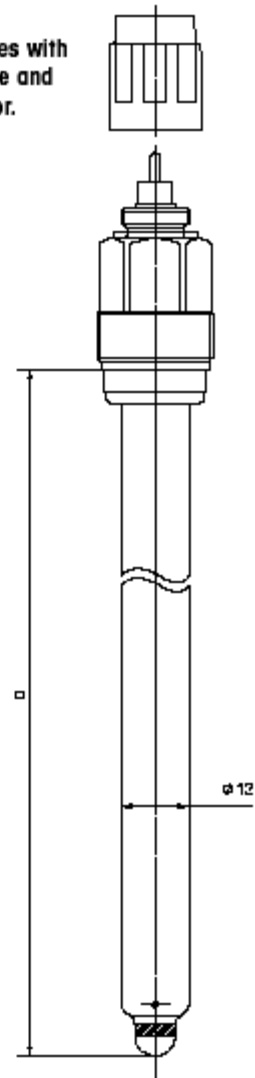


**P14865-DPA**

ORP electrodes with  
gel electrolyte and  
S8 connector.

**P14865-DPAS**

ORP electrodes with  
gel electrolyte and  
K8S connector.



These electrodes are below divided into 5 subgroups depending on their connector type and function (pHORP)

Their main application areas are indicated with following abbreviations:

**CPI** = Chemical Process Industry  
**F&B** = Food and Beverage Industry

**BP** = Biotechnology and Pharmaceutical Industry  
**W** = Industrial Water Preparation and Waste Water Treatment

Examples of suitable housings for respective electrode are indicated with following abbreviations:

**761** = InFit761-25BT(B)/H with H =  $\alpha$  - 50

**761-19** = InFit 761-19BT/H with H =  $\alpha$  - 50

**761CIP** = InFit761-25CIP/70 for  $\alpha$  = 120

**762B** = InFit762B/XXX for  $\alpha$  = 120

**773** = InFit 773 PVDF for  $\alpha$  = 120

**797** = InTrac 797-M/75 and -P/75 for  $\alpha$  = 325

**InFlow** = InFlow 751 in PVC/PVDF for  $\alpha$  = 120

**InClean** = InClean 777 for  $\alpha$  = 425

**InDip** = InDip 550 and InDip 524 for  $\alpha$  = 120 and InDip 502 for  $\alpha$  = 225

**777SL** = InTrac 777SL/70 and /100 for  $\alpha$  = 225 and InTrac 777/200 for  $\alpha$  = 425

**777SPR** = InTrac 777-SPR/100 for  $\alpha$  = 225 and InTrac 777SPR/200 for  $\alpha$  = 425

Order-No.	Designation	Suitable housing(s)	Main application(s)
-----------	-------------	---------------------	---------------------

#### 2A. Gel electrolyte pH electrodes with integrated temperature sensor and VP connector.

Drawings InPro3100 and InPro3200. Suitable cables with VP connector.

52 001 418	InPro3200/120/P1100	761, 761CIP, 762B, 773, InFlow, InDip	CPI, BP, W, F&B
52 001 419	InPro3200/120/P11000	761, 761CIP, 762B, 773, InFlow, InDip	CPI, BP, W, F&B
52 001 420	InPro3200/200/P1100	Direct mounting in fermenters	BP
52 001 421	InPro3200/200/P11000	Direct mounting in fermenters	BP
52 001 422	InPro3200/225/P1100	761, 761-19, 777SL & SPR, InDip	CPI, BP, W, F&B
52 001 423	InPro3200/225/P11000	761, 761-19, 777SL & SPR, InDip	CPI, BP, W, F&B
52 001 424	InPro3200/325/P1100	797, 761, 761-19	CPI, BP, W, F&B
52 001 425	InPro3200/325/P11000	797, 761, 761-19	CPI, BP, W, F&B
52 001 503	InPro3200/425/P1100	777SL, 777SPR, InClean, 761-19	CPI, BP, W, F&B
52 001 504	InPro3200/425/P11000	777SL, 777SPR, InClean, 761-19	CPI, BP, W, F&B
52 000 656	InPro3100/120/P1100	761CIP, 761	BP, F&B
52 000 658	InPro3100/120/P11000	761CIP, 761	BP, F&B
52 000 659	InPro3100/150/P1100	761	BP, F&B
52 000 660	InPro3100/150/P11000	761	BP, F&B
52 000 661	InPro3100/225/P1100	761, 761-19	BP, F&B
52 000 662	InPro3100/225/P11000	761, 761-20	BP, F&B
52 000 663	InPro3100/325/P1100	797, 761, 761-19	BP, F&B
52 000 664	InPro3100/325/P11000	797, 761, 761-19	BP, F&B
52 000 665	InPro3100/425/P1100	761-19	BP, F&B
52 000 666	InPro3100/425/P11000	761-19	BP, F&B

Mettler-Toledo GmbH, Process Analytics

Industrie Nord

CH-8902 Urdorf

Subject to technical changes. Mettler-Toledo GmbH

52900191

52900192

52900199

52900193

Order-No.	Designation	Suitable housing(s)	Main application(s)
<b>2B. Autoclavable pH electrodes with gel electrolyte and KBS connector.</b>			
<b>Drawings 405-DPAS and InPro3030. Suitable cables with AK9 connector.</b>			
10 405 4479	405-DPAS-SC-KBS/120	761CIP, 761	BP, F&B
10 405 4498	405-DPAS-SC-KBS/150	761	BP, F&B
10 405 4480	405-DPAS-SC-KBS/200	Direct mounting in fermenters	BP
10 405 4481	405-DPAS-SC-KBS/225	761, 761-19	BP, F&B
10 405 4482	405-DPAS-SC-KBS/325	797, 761, 761-19	BP, F&B
10 405 4483	405-DPAS-SC-KBS/425	761-19	BP, F&B
52 001 310	InPro3030/120	761CIP, 761	BP, F&B
52 001 314	InPro3030/150	761	BP, F&B
52 001 361	InPro3030/200	Direct mounting in fermenters	BP
52 001 315	InPro3030/225	761, 761-19	BP, F&B
52 001 316	InPro3030/325	797, 761, 761-19	BP, F&B
52 001 317	InPro3030/425	761-19	BP, F&B
<b>2C. Gel electrolyte pH electrodes and with S8 connector. Ref. electrode and temp. sensors.</b>			
<b>Drawing HA405-DPA. Suitable cables with AS9 connector.</b>			
10 405 4476	HA405-DPA-SC-S8/120	761, 762B, 773, InFlow, InDip	CPI, W
10 405 4477	HA405-DPA-SC-S8/225	761, 777SL, 777SPR, InDip	CPI, W
10 405 4478	HA405-DPA-SC-S8/425	777SL, 777SPR, InClean	CPI, W
11 405 3127	HF405-DPA-SC-S8/120	761, 762B, 773, InFlow, InDip	CPI, W
10 405 4493	LoT405-DPA-SC-S8/120	761, 762B, 773, InFlow, InDip	CPI, W
10 363 3028	363-DPA-S8/120	761, 762B, 773, InFlow, InDip	CPI, W
10 100 3072	P1100-S8/120	761, InFlow, InDip	Various
10 100 3108	P11000-S8/120	761, InFlow, InDip	Various
<b>2D. ORP electrodes with gel electrolyte and S8 connector.</b>			
<b>Drawing P14805-DPA. Suitable cables with AS9 connector.</b>			
10 505 3339	P14805-DPA-SC-S8/120	761, 762B, 773, InFlow, InDip	CPI, W
10 505 3338	P14805-DPA-SC-S8/225	761, 777SL, 777SPR, InDip	CPI, W
10 505 3340	P14805-DPA-SC-S8/425	777SL, 777SPR, InClean	CPI, W
10 505 3341	Au4805-DPA-SC-S8/120	761, 762B, 773, InFlow, InDip	CPI, W
<b>2E. ORP electrodes with gel electrolyte and KBS connector.</b>			
<b>Drawing P14805-DPAS. Suitable cables with AK9 connector.</b>			
10 505 3334	P14805-DPAS-SC-KBS/120	761CIP, 761	BP
52 001 406	P14805-DPAS-SC-KBS/150	761	BP
10 505 3335	P14805-DPAS-SC-KBS/200	Direct mounting in fermenters	BP
10 505 3336	P14805-DPAS-SC-KBS/225	761, 761-19	BP
10 505 3337	P14805-DPAS-SC-KBS/325	797, 761, 761-19	BP
<b>Mettler-Toledo GmbH, Process Analytics</b>			52900191
Industrie Nord			52900192
CH-8902 Urdorf			52900199
Subject to technical changes. Mettler-Toledo GmbH			52900193