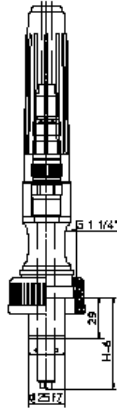
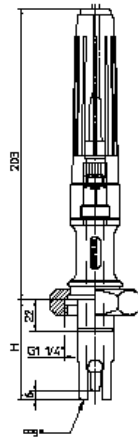


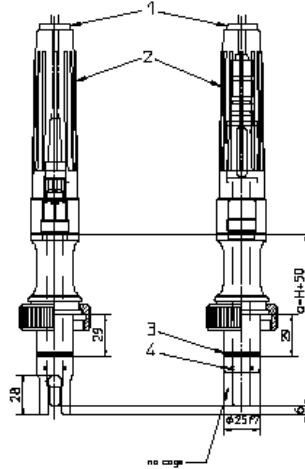
InFit 761 B



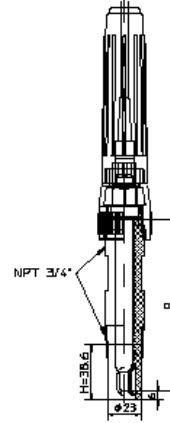
InFit 761 CP



InFit 761 BT



InFit 761-NPT 3/4"



No.	Order-No.	Designation	Material	H	a	O-Rings
Housings						
	00 761 3043	InFit761-25BT/70	1.4435	70	120	Silicone
	00 761 3093	InFit761-25BTB/70	1.4435	70	120	Silicone
	00 761 3042	InFit761-25CP/70	1.4435	70	120	Viton
	00 761 3076	InFit761-25CPB/70	1.4435	70	120	Viton
	00 761 3105	InFit761-25CP/70	HA-C22	70	120	Kalrez
	52 400 310	InFit761-25B/70 PVC	PVC	70	120	Viton
	52 401 521	InFit761-NPT-3/4"	PVC	70	120	Viton
	52 400 311	InFit761-25B/70 PVDF	PVDF	70	120	Viton
	52 401 520	InFit761-NPT-3/4"	PVDF	70	120	Viton
	52 400 316	InFit761-25B/70 PP	PP	70	120	Viton
	00 761 3089	InFit761-25BT/100	1.4435	100	150	Silicone
	00 761 3097	InFit761-25BTB/100	1.4435	100	150	Silicone
	00 761 3074	InFit761-25BT/175	1.4435	175	225	Silicone
	00 761 3094	InFit761-25BTB/175	1.4435	175	225	Silicone
	00 761 3065	InFit761-25BT/275	1.4435	275	325	Silicone
	00 761 3095	InFit761-25BTB/275	1.4435	275	325	Silicone

Order-No	Designation	No.
Accessories		
00 761 2013	Seal set InFit761-25BT(B)/-19BT Si	1,3,4
00 761 2015	Seal set InFit761-25 Viton	1,3,4
00 761 2018	Seal set InFit761-25 EPDM FDA	1,3,4
52 401 099	Seal set InFit761-25 Kalrez	1,3,4
00 764 2148	Protective sleeve (PE/PTFE)	2
00 777 2011	Protective sleeve (Stainless steel)	2
52 401 518	Protective sleeve (NPT)	2

Sensors:

pH-Sensors:	InPro3100, InPro4200, InPro3030, InPro3200 405-DPAS, 405-DPA InPro7001
Redox-Sensor:	PI4805-DPAS
O₂ -Sensors:	InPro6000 Series O ₂ -Sensor 12mm
Conductivity Sensor:	InPro7001

Mettler-Toledo GmbH, Process Analytics

Industrie Nord
CH-8902 Urdorf
Subject to technical changes. Mettler-Toledo GmbH

52900020 B