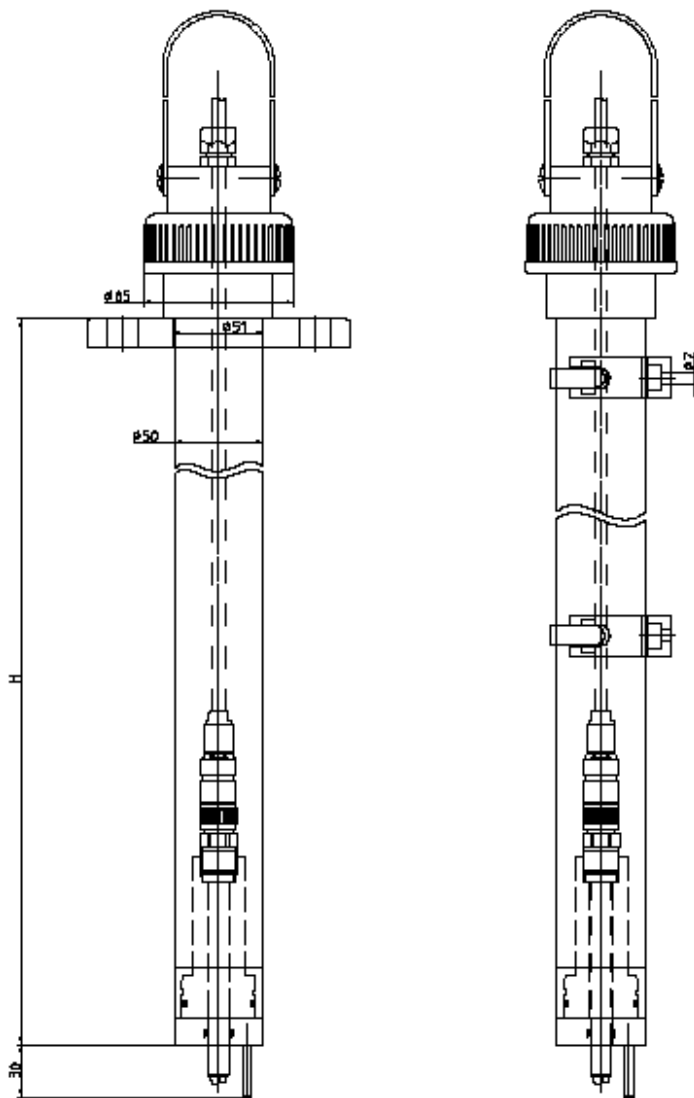


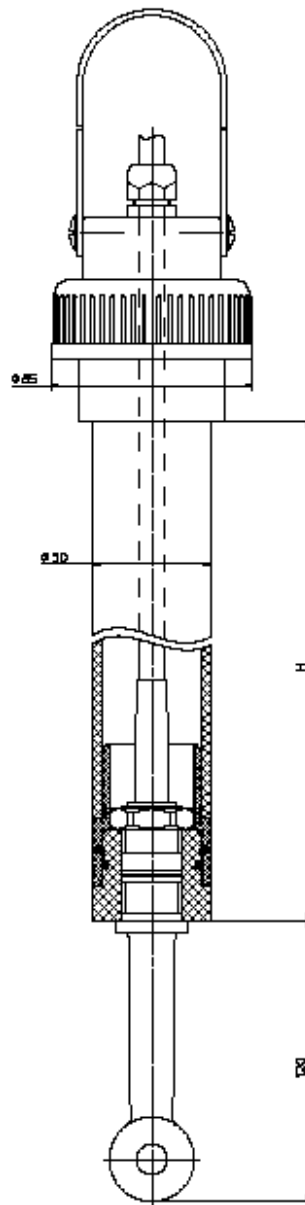
type Pg13.5 with solution grounding pH standard
 type Pg13.5/P with protective cage (no solution grounding)
 type Pg13.5/GP with protective cage with solution grounding
 type P with protective cage (no solution grounding)
 type PG with protective cage with solution grounding

Mettler-Toledo GmbH, Process Analytics
 Industrie Nord
 CH-8902 Udorf
 Subject to technical changes. © Mettler-Toledo GmbH

Version 2.0/ Date: 11/2000







No.	Order-No.	Designation	Material	H	Electrode holder
Housings (InDip550)					
Remark:					
* Housing in PVDF - solution grounding pin in HA-C22					
* Housing in PVC - solution grounding pin in 1.4435					
52 400 884	InDip550/200	PVC Pg13.5	PVC	200	Pg13.5
52 400 955	InDip550/400	PVC 1"NPT	PVC	400	1"NPT
52 400 965	InDip550/420	PVDF Pg13.5	PVDF	420	Pg13.5
52 400 612	InDip550/500	PVC Pg13.5	PVC	500	Pg13.5
52 400 613	InDip550/500	PVDF Pg13.5	PVDF	500	Pg13.5
52 400 614	InDip550/500	PVC 3/4"NPT	PVC	500	3/4"NPT
52 400 615	InDip550/500	PVDF 3/4"NPT	PVDF	500	3/4"NPT
52 400 616	InDip550/500	PVC 1"NPT	PVC	500	1"NPT
52 400 617	InDip550/500	PVDF 1"NPT	PVDF	500	1"NPT
52 401 226	InDip550/500	PVC Pg13.5 PF	PVC	500	Pg13.5
52 401 413	InDip550/500	PVC Pg13.5 F	PVC	500	Pg13.5
52 401 438	InDip550/500	PVC Pg13.5 P	PVC	500	Pg13.5
52 402 060	InDip550/500	PVC Pg13.5 PG	PVC	500	Pg13.5
52 401 117	InDip550/550	PVC Pg13.5	PVC	550	Pg13.5
52 400 878	InDip550/600	PVC Pg13.5	PVC	600	Pg13.5
52 400 320	InDip550/1000	PVC Pg13.5	PVC	1000	Pg13.5
52 400 321	InDip550/1000	PVDF Pg13.5	PVDF	1000	Pg13.5
52 400 322	InDip550/1000	PVC 3/4"NPT	PVC	1000	3/4"NPT
52 400 323	InDip550/1000	PVC 3/4"NPT	PVC	1000	3/4"NPT
52 400 324	InDip550/1000	PVC 1"NPT	PVC	1000	1"NPT
52 400 325	InDip550/1000	PVDF 1"NPT	PVDF	1000	1"NPT
52 401 204	InDip550/1000	PVDF Pg13.5 PG	PVDF	1000	Pg13.5
52 401 205	InDip550/1000	PVC Pg13.5 P	PVC	1000	Pg13.5
52 401 610	InDip550/1000	PVDF Pg13.5 P	PVDF	1000	Pg13.5
52 401 841	InDip550/1000	PVC Pg13.5/d50/P	PVC	1000	Pg13.5
52 401 892	InDip550/1100	PVC Pg13.5/DN50	PVC	1100	Pg13.5
52 401 974	InDip550/1200	PVDF Pg13.5 P	PVDF	1200	Pg13.5
52 401 531	InDip550/1240	PVDF Pg13.5	PVDF	1240	Pg13.5
52 400 902	InDip550/1300	PVDF Pg13.5	PVDF	1300	Pg13.5
52 401 658	InDip550/1350	PVC Pg13.5/D150	PVC	1350	Pg13.5
52 401 967	InDip550/1400	PVC Pg13.5	PVC	1400	Pg13.5
52 400 582	InDip550/1500	PVC Pg13.5	PVC	1500	Pg13.5
52 400 583	InDip550/1500	PVDF Pg13.5	PVDF	1500	Pg13.5
52 400 584	InDip550/1500	PVC 3/4"NPT	PVC	1500	3/4"NPT
52 400 585	InDip550/1500	PVDF 3/4"NPT	PVDF	1500	3/4"NPT
52 400 586	InDip550/1500	PVC 1"NPT	PVC	1500	1"NPT
52 400 587	InDip550/1500	PVDF 1"NPT	PVDF	1500	1"NPT
52 401 492	InDip550/1500	PVDF Pg13.5 P	PVDF	1500	Pg13.5
52 401 669	InDip550/1500	PVC Pg13.5 PG	PVC	1500	Pg13.5
52 401 832	InDip550/1500	PVDF Pg13.5 PG	PVDF	1500	Pg13.5

Mettler-Toledo GmbH, Process Analytics

Industrie Nord

CH-8902 Urdorf

Subject to technical changes. Mettler-Toledo GmbH

52900099 C

No.	Order-No.	Designation	Material	H	Electrode holder
52 401 671	InDip550/1500	PVC Pg13.5 P	PVC	1500	Pg13.5
52 401 968	InDip550/1650	PVC Pg13.5	PVC	1650	Pg13.5
52 401 845	InDip550/1700	PvDF Pg13.5 P	PVDF	1700	Pg13.5
52 402 082	InDip550/1800	PVC Pg13.5	PVC	1800	Pg13.5
52 400 588	InDip550/2000	PVC Pg13.5	PVC	2000	Pg13.5
52 400 589	InDip550/2000	PVDF Pg13.5	PVDF	2000	Pg13.5
52 400 590	InDip550/2000	PVC 3/4"NPT	PVC	2000	3/4"NPT
52 400 591	InDip550/2000	PVDF 3/4"NPT	PVDF	2000	3/4"NPT
52 400 592	InDip550/2000	PVC 1"NPT	PVC	2000	1"NPT
52 400 593	InDip550/2000	PVDF 1"NPT	PVDF	2000	1"NPT
52 401 441	InDip550/2000	PVDF Pg13.5 P	PVDF	2000	Pg13.5
52 401 516	InDip550/2000	PVC Pg13.5 P	PVC	2000	Pg13.5
52 401 654	InDip550/2000	PVC Pg13.5 PG	PVC	2000	Pg13.5
52 401 072	InDip550/2300	PVC 1"NPT	PVC	2300	1"NPT
52 400 594	InDip550/2500	PVC Pg13.5	PVC	2500	Pg13.5
52 400 595	InDip550/2500	PvDF Pg13.5	PVDF	2500	Pg13.5
52 400 596	InDip550/2500	PVC 3/4"NPT	PVC	2500	3/4"NPT
52 400 597	InDip550/2500	PvDF 3/4"NPT	PVDF	2500	3/4"NPT
52 400 598	InDip550/2500	PVC 1"NPT	PVC	2500	1"NPT
52 400 599	InDip550/2500	PvDF 1"NPT	PVDF	2500	1"NPT
52 401 603	InDip550/2500	PvDF Pg13.5 P	PVDF	2500	Pg13.5
52 402 059	InDip550/2500	PVC Pg13.5 PG	PVC	2500	Pg13.5
52 400 600	InDip550/3000	PVC Pg13.5	PVC	3000	Pg13.5
52 400 601	InDip550/3000	PvDF Pg13.5	PVDF	3000	Pg13.5
52 400 602	InDip550/3000	PVC 3/4"NPT	PVC	3000	3/4"NPT
52 400 603	InDip550/3000	PvDF 3/4"NPT	PVDF	3000	3/4"NPT
52 400 604	InDip550/3000	PVC 1"NPT	PVC	3000	1"NPT
52 400 605	InDip550/3000	PvDF 1"NPT	PVDF	3000	1"NPT
52 401 889	InDip550/3000	PvDF Pg13.5 P	PVDF	3000	Pg13.5
52 400 978	InDip550/3300	PVC Pg13.5	PVC	3300	Pg13.5
52 401 386	InDip550/3500	PvDF Pg13.5	PVDF	3500	Pg13.5
52 401 389	InDip550/3500	PVC Pg13.5	PVC	3500	Pg13.5
52 400 606	InDip550/4000	PVC Pg13.5	PVC	4000	Pg13.5
52 400 607	InDip550/4000	PvDF Pg13.5	PVDF	4000	Pg13.5
52 400 608	InDip550/4000	PVC 3/4"NPT	PVC	4000	3/4"NPT
52 400 609	InDip550/4000	PVC 1"NPT	PVC	4000	1"NPT
52 400 610	InDip550/4000	PVC 1"NPT	PVC	4000	1"NPT
52 400 611	InDip550/4000	PvDF 1"NPT	PVDF	4000	1"NPT
52 401 836	InDip550/4000	PVC Pg13.5 P	PVC	4000	Pg13.5
Housings (without tube and electrode holder)					
52 400 659	Set InDip550		PVC		
52 400 660	Set InDip550		PVDF		

Mettler-Toledo GmbH, Process Analytics

Industrie Nord

CH-8902 Urdorf

Subject to technical changes. Mettler-Toledo GmbH

52900099 C

No.	Order-No.	Designation	Material	H
Housings (InDip550 Ind)				
52 401 954	InDip550/1000	PVC Ind	PVC	1000
52 401 955	InDip550/1000	PVDF Ind	PVDF	1000
52 402 108	InDip550/1500	PVC Ind	PVC	1500
52 402 109	InDip550/1500	PVDF Ind	PVDF	1500
52 402 110	InDip550/2000	PVC Ind	PVC	2000
52 402 111	InDip550/2000	PVDF Ind	PVDF	2000

Order-No	Designation	Material
Accessories		
52 400 622	Electrode holder, Pg13.5	PVC
52 400 623	Electrode holder, Pg13.5	PVDF
52 400 624	Electrode holder, 3/4"NPT	PVC
52 400 625	Electrode holder, 3/4"NPT	PVDF
52 400 626	Electrode holder, 1"NPT	PVC
52 400 627	Electrode holder, 1"NPT	PVDF
52 400 319	O-Ring set for electrode holder	Viton
52 400 774	Flange DN 40 for d=50	PVDF
52 400 858	Flange DN 100 for d=50	PVDF
52 400 954	Flange DN 100 for d=50	PVC
52 400 775	Tube clamp 50 mm	PE

Order-No	H
Grounding cable:	
52 300 171	0.30 m
52 300 172	0.40 m
52 300 173	> 0.40 m to 0.50 m
52 300 174	> 0.50 m to 0.65 m
52 300 175	> 0.80 m to 1.00 m
52 300 176	> 1.40 m to 1.60 m
52 300 177	> 1.80 m to 2.00 m
52 300 178	> 2.40 m to 2.60 m
52 300 179	> 2.80 m to 3.00 m
52 300 180	> 3.80 m to 4.00 m

Sensor

Sensor type (Pg13.5) $\alpha=120$:

InPro4010
InPro4200
InPro3200
InPro7001
InPro6050

Sensor type (3/4"NPT):

InPro7000
InPro7100
InPro7104

Sensor type (1"NPT):

InPro4500
InPro4500 VP