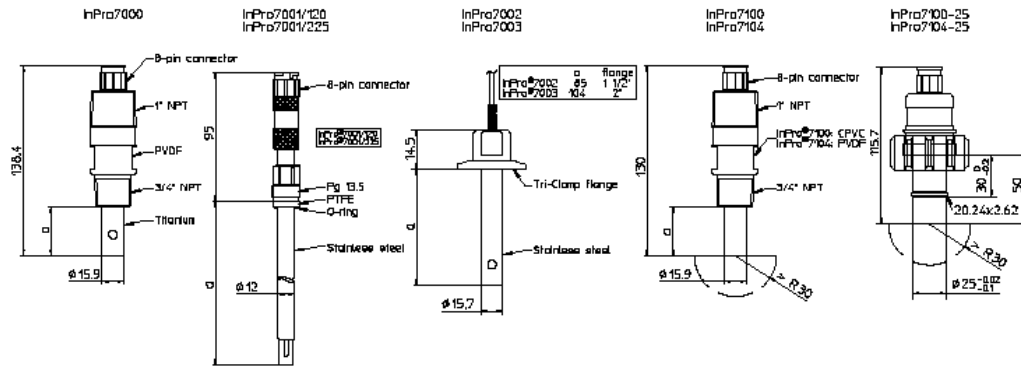


2 electrode sensor

4 electrode sensor



No.	Order-No.	Designation	Material	Sensor Length
Inductive conductivity sensors				
52 001 370		InPro7200	PEEK	120
52 001 371		InPro7201	PEEK	120
52 001 372		InPro7202	Polypropylene	120

Order-No.	Designation	Material
Accessories		

Flange

52 401 940	DN50/PN16	1.4435
52 401 941	DN100/PN16	1.4435
52 401 933	ANSI 2"	1.4435
52 401 934	ANSI 2 1/2"	1.4435
52 401 938	ANSI 3"	1.4435
52 401 939	ANSI 4"	1.4435

Bushings

52 401 943	Threaded bushing R 1 1/2"	1.4435
52 401 944	Threaded bushing R 1 1/2" PVDF	PVDF
52 401 945	Threaded bushing R 2"	1.4435
52 401 946	Threaded bushing R 2" PVDF	PVDF
52 401 947	Threaded bushing G 1 1/2" NPT	1.4435
52 401 948	Threaded bushing G 1 1/2" NPT PVDF	PVDF
52 401 949	Threaded bushing G 2" NPT	1.4435
52 401 950	Threaded bushing G 2" NPT PVDF	PVDF

Sanitary adapters

52 401 952	Adapter according to DIN 11851 (DN50)	1.4435
52 401 953	Adapter according to DIN 11864-1 (DN50)	1.4435

Extension cable

52 300 220	5 m
52 300 221	10 m
52 300 222	15 m
52 300 223	20 m

Terminal Box

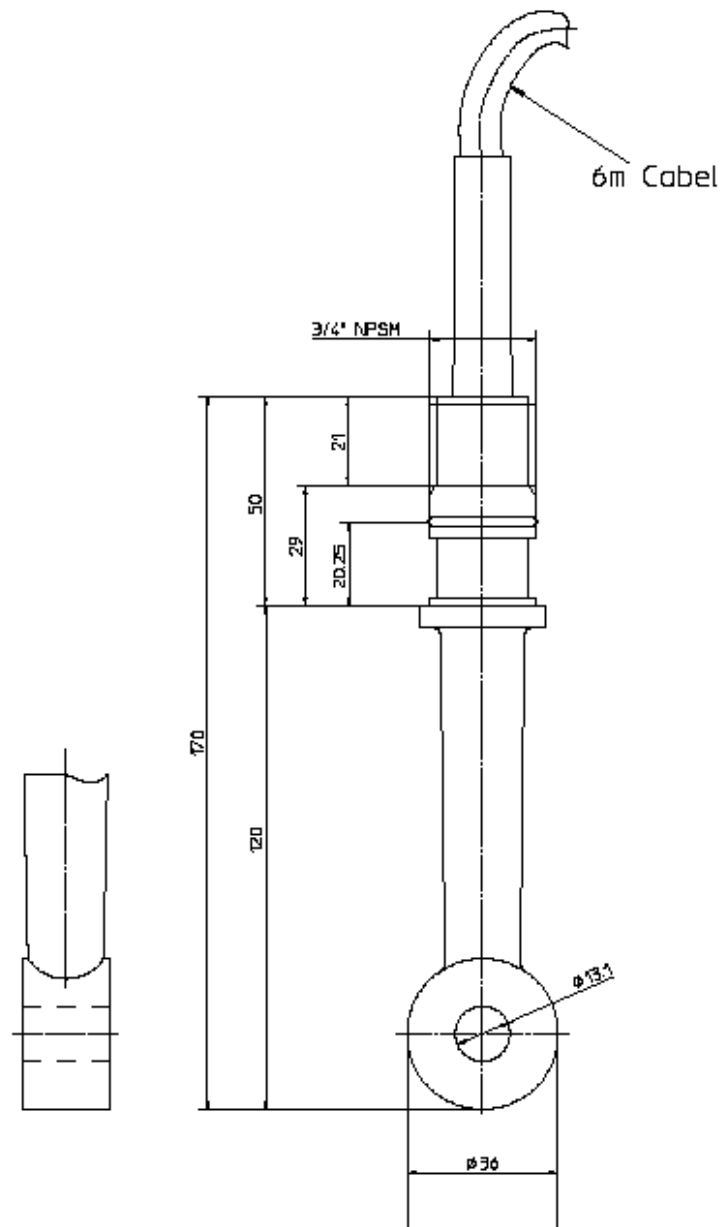
52 120 999	For general installations
52 121 000	For installation in Zone 0 (Ex)

Mettler-Toledo GmbH, Process Analytics

Industrie Nord
 CH-8902 Urdorf
 Subject to technical changes. Mettler-Toledo GmbH

52001370 A

No.	Order-No.	Designation	Material
<u>Spare parts</u>			
52 401 980		Set locknut	1.4435 (for Bushings, Sanitary adapters and InDip550)
52 401 942		Set locknut with spacer	1.4435 for Flanges



No.	Order-No.	Designation	Material	Length	Suitable housings
Conductivity sensors					
52 000 230	InPro7000		Titanium	35mm	InDip550 3/4"NPT
52 000 231	InPro7001/120		316L	116mm	InFit761-25CP/70, InFit761-25BT/70, InFit762, InFlow751, InDip550, InDip524
52 000 573	InPro7001/120 3.1B		316L	116mm	InFit761-25CP/70, InFit761-25BT/70, InFit762, InFlow751, InDip550, InDip524
52 000 496	InPro7001/120 O-Ring EPDM		316L	116mm	InFit761-25CP/70, InFit761-25BT/70, InFit762, InFlow751, InDip550, InDip524
52 121 022	InPro7001/120 3.1B EPDM		316L	116mm	InFit761-25CP/70, InFit761-25BT/70, InFit762, InFlow751, InDip550, InDip524
52 000 232	InPro7001/225		316L	221mm	InFit761-25CP/70, InFit761-25BT/70, InFit762, InFlow751, InDip550, InDip524, InDip502, InTrac777-MP
52 000 574	InPro7001/225 3.1B		316L	221mm	InFit761-25CP/70, InFit761-25BT/70, InFit762, InFlow751, InDip550, InDip524, InDip502, InTrac777-MP
52 000 233	InPro7002		316L	85mm	with Tri-Clamp flange
52 000 572	InPro 7002 3.1B		316L	85mm	with Tri-Clamp flange
52 000 234	InPro7003		316L	104mm	with Tri-Clamp flange
52 000 565	InPro7003 3.1B		316L	104mm	with Tri-Clamp flange
52 000 235	InPro7100		316L	28mm	InFlow751 PVC (32) DN25 NPT3/4*, InFlow751 PVC (50) DN40 NPT3/4*, InFlow751 PVC (63) DN50 NPT3/4*, InFlow751 PVDF (32) DN25 NPT3/4*, InFlow751 PVDF (50) DN40 NPT3/4*, InFlow751 PVDF (63) DN50 NPT3/4*, InDip550/PVC NPT3/4*, InDip550/PVDF NPT3/4*
52 000 236	InPro7104		316L	28mm	InFlow751 PVC (32) DN25 NPT3/4*, InFlow751 PVC (50) DN40 NPT3/4*, InFlow751 PVC (63) DN50 NPT3/4*, InFlow751 PVDF (32) DN25 NPT3/4*, InFlow751 PVDF (50) DN40 NPT3/4*, InFlow751 PVDF (63) DN50 NPT3/4*,

Mettler-Toledo GmbH, Process Analytics

Industrie Nord

CH-8902 Urdorf

Subject to technical changes. Mettler-Toledo GmbH

52900087 B

No.	Order-No.	Designation	Material	Length	Suitable housings
	52 000 236	InPro7104	316L	28mm	InDip550/PVC NPT3/4*, InDip550/PVDF NPT3/4*
	52 000 791	InPro7100-25	316L	28mm	
	52 000 792	InPro7104/HA-C22	316L	28mm	InFlow751 PVC (32) DN25 NPT3/4*, InFlow751 PVC (50) DN40 NPT3/4*, InFlow751 PVC (63) DN50 NPT3/4*, InFlow751 PVDF (32) DN25 NPT3/4*, InFlow751 PVDF (50) DN40 NPT3/4*, InFlow751 PVDF (63) DN50 NPT3/4*, InDip550/PVC NPT3/4*, InDip550/PVDF NPT3/4*
	52 000 793	InPro7104-25	316L	28mm	
	52 000 794	InPro7104-25/HA-C22	316L	28mm	
	52 001 082	InPro7100 3.1B	316L	28mm	InFlow751 PVC (32) DN25 NPT3/4*, InFlow751 PVC (50) DN40 NPT3/4*, InFlow751 PVC (63) DN50 NPT3/4*, InFlow751 PVDF (32) DN25 NPT3/4*, InFlow751 PVDF (50) DN40 NPT3/4*, InFlow751 PVDF (63) DN50 NPT3/4*, InDip550/PVC NPT3/4*, InDip550/PVDF NPT3/4*
	52 001 084	InPro7100-25 3.1B	316L	28mm	
	52 001 083	InPro7104 3.1B	316L	28mm	InFlow751 PVC (32) DN25 NPT3/4*, InFlow751 PVC (50) DN40 NPT3/4*, InFlow751 PVC (63) DN50 NPT3/4*, InFlow751 PVDF (32) DN25 NPT3/4*, InFlow751 PVDF (50) DN40 NPT3/4*, InFlow751 PVDF (63) DN50 NPT3/4*, InDip550/PVC NPT3/4*, InDip550/PVDF NPT3/4*
	52 001 085	InPro7104-25 3.1B	316L	28mm	

Order-No.	Cable
Accessories	
52 300 026	0.3 m
52 300 027	1.5 m
52 300 028	3.0 m
52 300 029	7.5 m
52 300 030	15 m
52 300 031	30 m
52 300 032	45 m
52 300 033	60 m

Mettler-Toledo GmbH, Process Analytics

Industrie Nord

CH-8902 Urdorf

Subject to technical changes. Mettler-Toledo GmbH

52900087 B